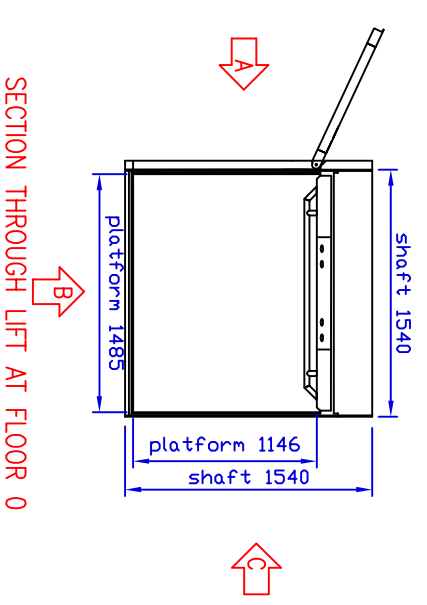
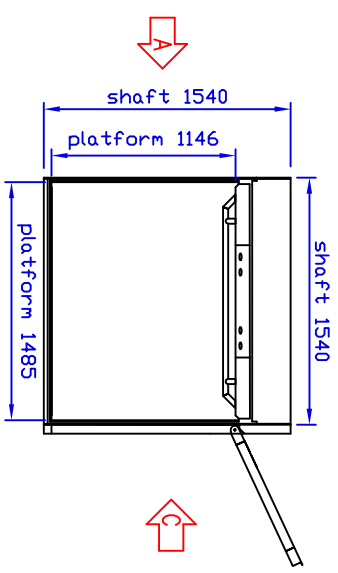
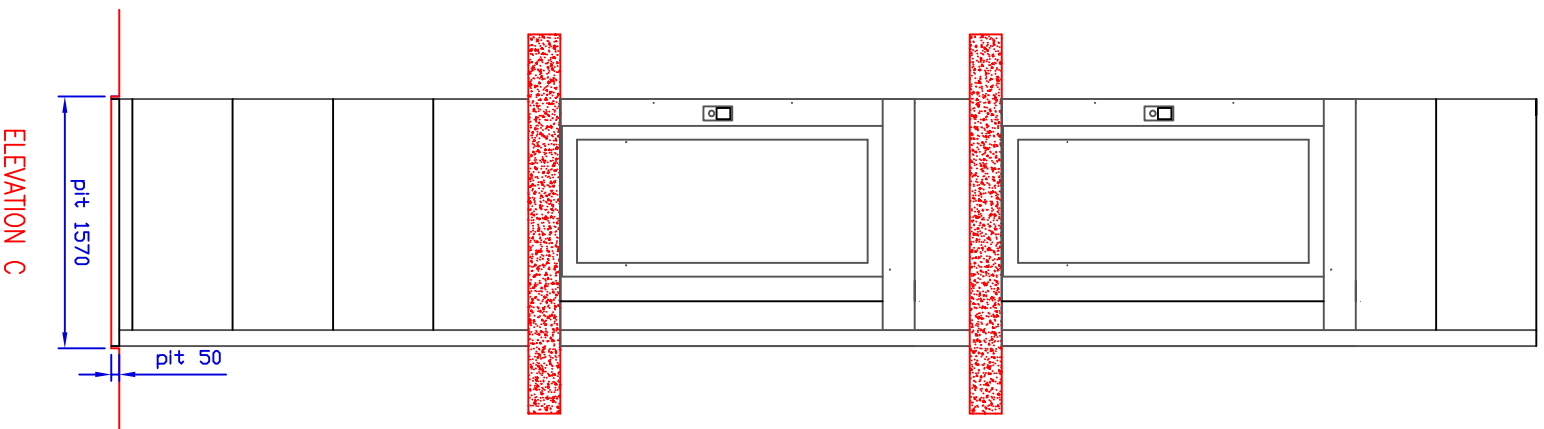
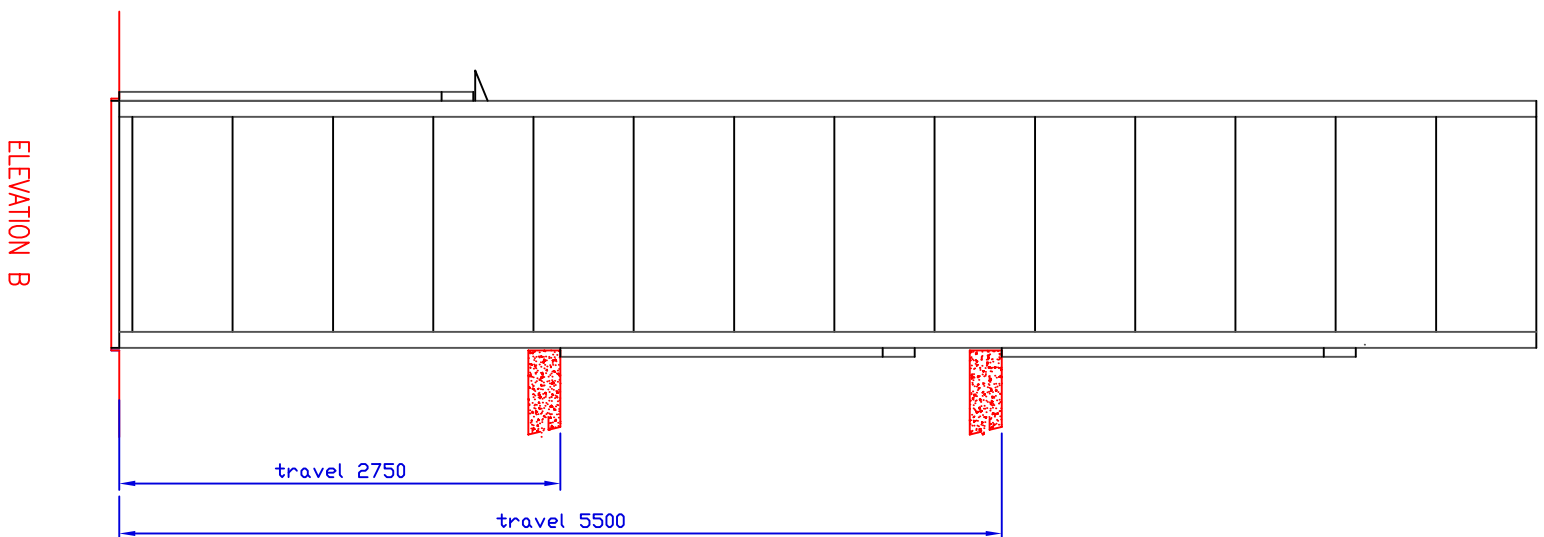
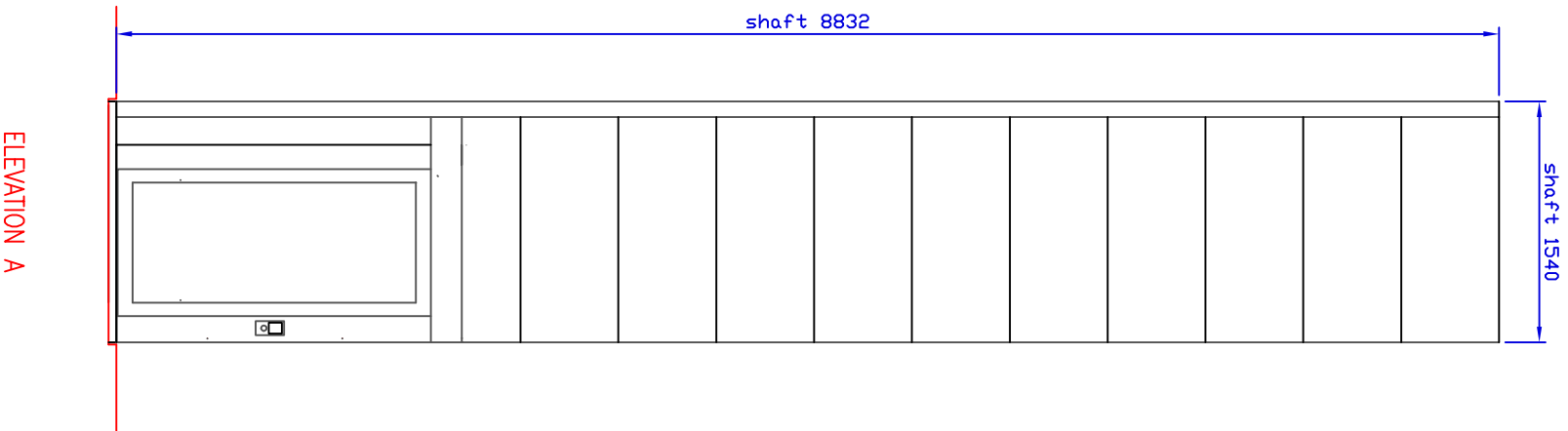


VPL-100 Vertical Platform Lift in an aluminium framed enclosure with steel panels finished in RAL9006.

Doors have large glass panels and are manual operation.



GENERAL ARRANGEMENT DRAWING - NOT TO BE USED FOR CONSTRUCTION PURPOSES.

Issue Date		Change		Title	
0	12/9/14	First Issue		PLATFORM LIFT MODEL VPL-100	
				Scale	1:20
				Sheet No.	A3
				Rev.	100/GA1
Customer: Custom Platform Lifts Ltd					
Tel: 01268 570899					
