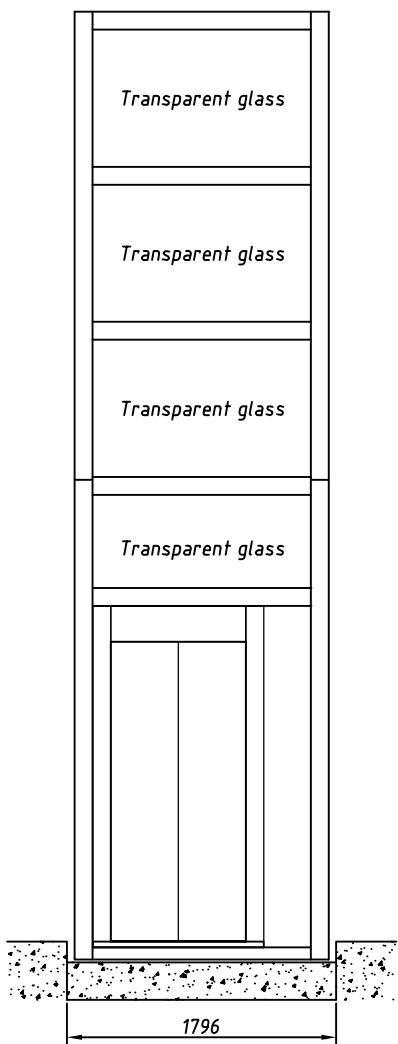
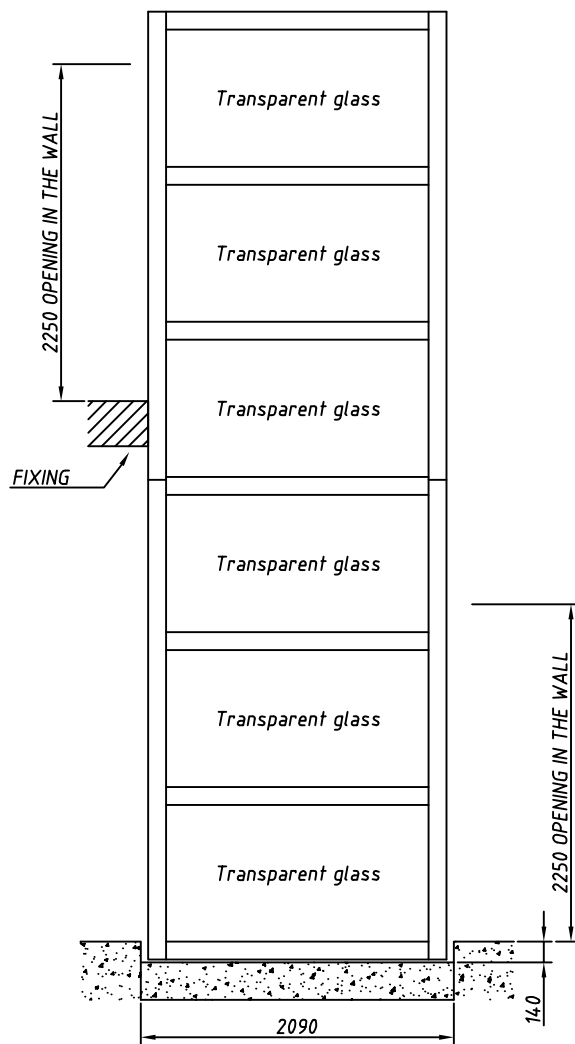


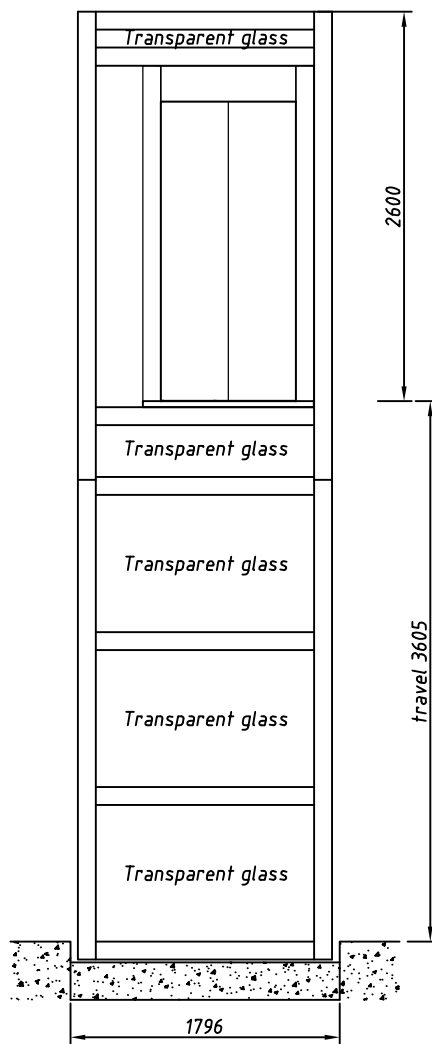
VIEW FROM B



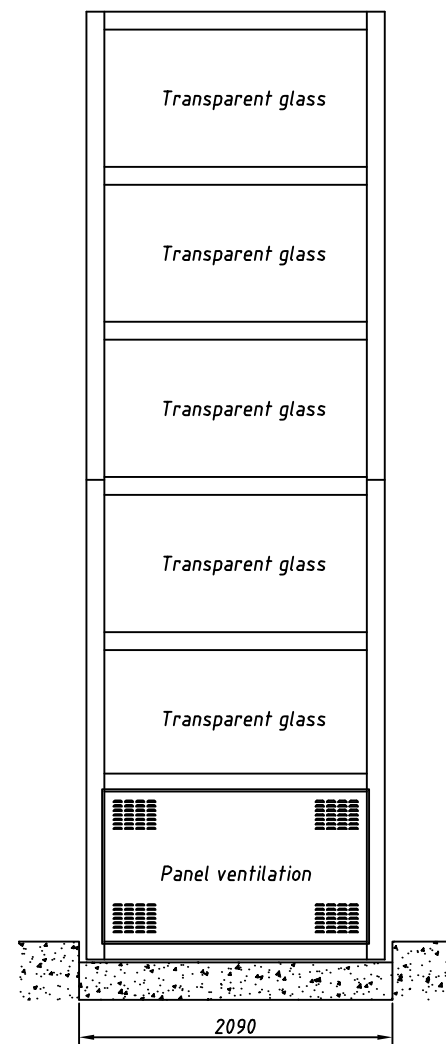
VIEW FROM C



VIEW FROM D

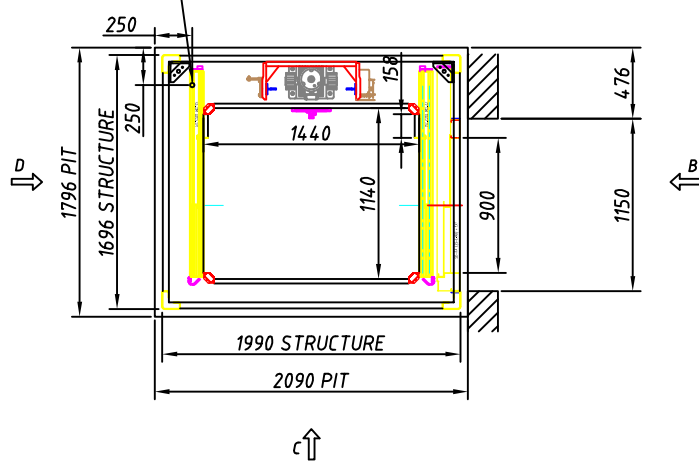


VIEW FROM A

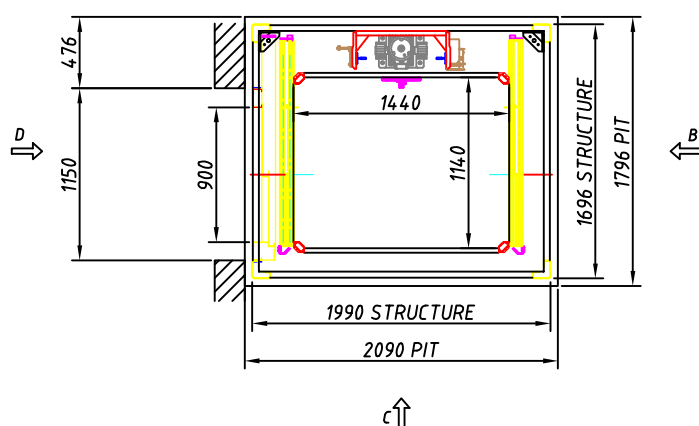


CONNECTION POINTS FOR
EL. CABLES (220 VAC - 50 Hz)
COMING FROM THE MAIN SWITCH

PLAN VIEW GROUND FLOOR



PLAN VIEW FLOOR 1



GENERAL ARRANGEMENT DRAWING - NOT TO BE USED FOR CONSTRUCTION PURPOSES

PLATFORM LIFT MODEL VPL400 WITH GLASS PANNELLED STRUCTURE & GLASS/STAINLESS STEEL CABIN.
AUTOMATIC SLIDING DOORS ON THE CABIN & LANDINGS ON/OFF OPPOSITE SIDES

ELECTRIC TRACTION BELT DRIVE - NO SEPARATE CONTROL CABINET

| Issue | Date | Change | TITLE PLATFORM LIFT MODEL VPL400 | | |
|-------|---------|-------------|--|---------|---------|
| 0 | 12/7/12 | First Issue | SCALE 1:20 | UNIT A3 | 400/GA1 |
| | | | CLIENT: | | |
| | | | GENERAL ARRANGEMENT DRAWING | | |
| | | | Custom Platform Lifts Ltd Tel: 01268 570899 | | |

